

Digital Door Lock

M1302-LK/M132K-L

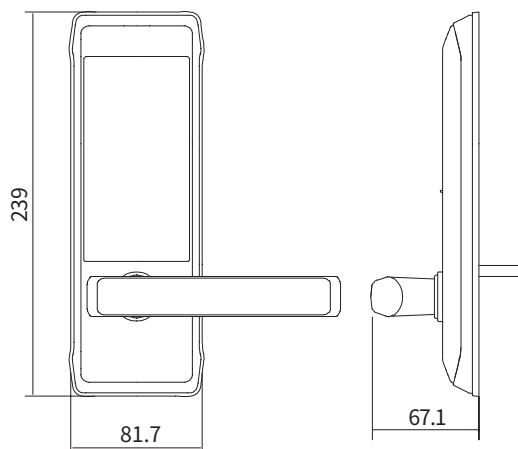
KEES

Feature

- RFID
- Auto-locking
- Mechanical key(M132K-L)
- Pin Access(MAX. 5)
- One Time Password (OTP)
- BLE App Control (option)

Dimensions

Unit : mm



Specifications

	M1302-L	M132K-L
Handle Type	Lever	
Unlocking Methods	IRIS Recognition	N/A
	Finger Print Recognition	N/A
	RFID Card	2ea (Available Mifare type Max. 50ea)
	Password	4~10 digit number
Mechanical Cylinder Key	Keyless	2ea
Door Thickness	40 ~ 50 mm (option: 60 ~ 100 mm)	
Back Set / Space	70.5mm/44mm	
Power	DC 6V(AA batteries) x 4 ea	
Battery Life (Approximated Average - 10 times per day)	12 months (manual w/up & w/o network) ~ 10 months (Automatic Wake up & Using RF, Network options)	
Emergency Battery	DC9V	
Material	Al die casting &ABS mold	
Weight(kg)	1.7	
Dimension (WxHxD)	Outer:W x H x D(mm)	81.7 x 239 x 67.1
	Inner: W x H x D(mm)	84.5 x 239.5 x 78.2
	Strike Box W x H x Strike D(mm)	21 x 106 x 19.5
	Mortise Front W x H x Depth D(mm)	25 x 110 x 106
Optional	BLE, RF	



Durable And Reliable



Highly Resistant Metal Body



Auto Lock/Re-Lock/Lock Out



Trace Prevention Password Protection



Multi-Level Volume Control/ Selective Mute function



Emergency Power Function



High Voltage Prevention System



Fire Prevention System