

Access Control System

i-A100LT

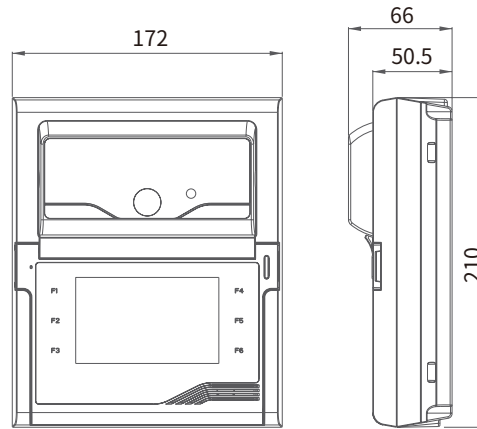
KEES

Feature

- Iris authentication access control
- Iris authentication after facial detection through auto tilting
- Multiple authentications (Iris+RF Card+Pin code)
- Long distance of authentication(40~100cm)
- Fast authentication: within 1second after acquiring iris pattern
- Store up to 10,000 templates
- Visual and voice guidance through LCD and speaker
- Temperature scan of authentication attempter by thermal imaging camera
- Auxiliary LED for optimized face detection
- Various system interfaces: TCP/IP, RS485, RS232, Wiegand, USB2.0
- 12VDC

Dimensions

Unit : mm



Specifications

General		Tamper detection	Tamper 1(Product separation detection) Tamper 2(LCD cover open detection)
Firmware platform and OS	Arm Cortex A9 Quad Core/Linux	Voice guidance	Yes(English ,Korean, Chinese)
Mounting height	130cm	relay	relay x2
Authenticate height range	145cm~210cm (standard on user height)	GPIO	TTL INPUT x 4(TTL Input_DC5V)
Authenticate distance range	40cm~100cm	Other ports	USB 2.0
Integration	SDK available (KT&C API) server communication: TLSv1/SSLv3, 1 WAY, ECDHE-RSA-AES256-GCM-SHA384 DB: AES CBC-256bit/ARIA Support	RF Card	13.56Mhz Mifare/Felica(option)
Encryption		Communicaiton	
Authentication		Ethernet	10/100 Base-T Ethernet (RJ45 connector)
Authentication methods	Iris(Single Iris, either eye,etc), Pin number, RFID(option)	Wiegand In/Out	Input 1ch, Output 1ch
Authentication speed	< 1 sec (after user's eyes are placed within capture volume)	RS-232	1ch
FAR	1 in 1,000,000	RS-485	1ch
Store iris template	Up to 10,000	Power	
Functions		Power input	DC12V(±10%)
Iris Pattern standard	ISO 19794-6 2011 standard to capture Iris Pattern	Power consumption	DC12V(±10%) Max. 2.2A
Iris image sensor	3840 x 2160 pixels, 10 bit depth	Physical and Temperature	
Lens to capture Iris Pattern	5xZoom	Dimension(mm)	172(W)X210(H)X66(D)mm
Face image sensor	1MP, 1280 x 720 pixels	Weight	Weight 1180g
IR wavelengths to capture Iris Pattern	wavelengths of 810 nm	Operating Temperature	32°F~ 113°F (0°C~45°C)
Thermal sensor resolution	80X60 pixel	Storage Temperature	-4°F~140°F (-20°C~60°C)
Thermal sensitivity	<50mK (0.050°C)	Humidity	10%~90% Relative Humidity Non-Condensing
Thermal spectrum	LWIR(Longwave IR), 8µm to 14µm	Mounting	Flush or Surface mounting
Auxiliary light	5,000k, Brightness level control	Certificates	CE, FCC(TBD), KC certified
Auto tilt	+30°/-20°	Optional model	i-A100L, i-A100
Visual indicators on the LCD.	Red: within 40cm / Green: 40~100cm / Blue: out of 100cm		
Audio	2.0W speaker		
LCD	4.2" TFT LCD(800X480), Capacitive touch screen		