

1 2 3 4 5 6

A

A

B

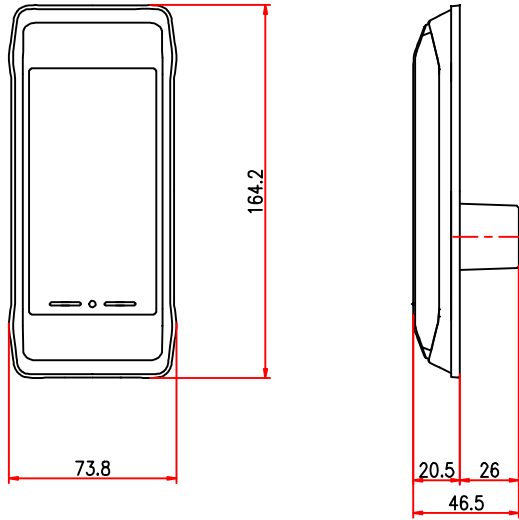
B

C

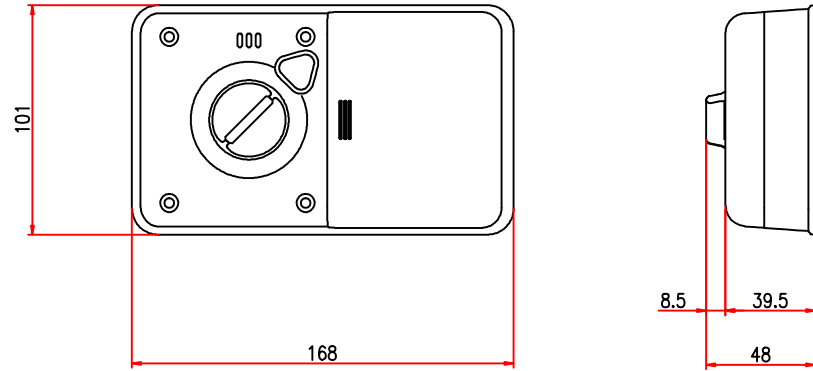
C

D


D



74(w) x 164(h) x 46.5(d)



168(w) x 101(h) x 48(d)

NO.	DATE	Description	Revised by	TOLERANCE		UNIT	mm	SCALE	1:1	TITLE					
				0<L<50	±0.1	SIZE	A4	PROJECTION	1 st	R1002-TS					
				50<L<300	±0.15	 KT&C CO., LTD.							DESIGNED	CHECKED	APPROVED
				300<L	±0.2								J.H.KIM		
				ANGULAR	±1°								2019.06.07		
							CODE NO.								

1 2 3 4 5 6