

Digital Door Lock

R1001-TS/R1002-TS

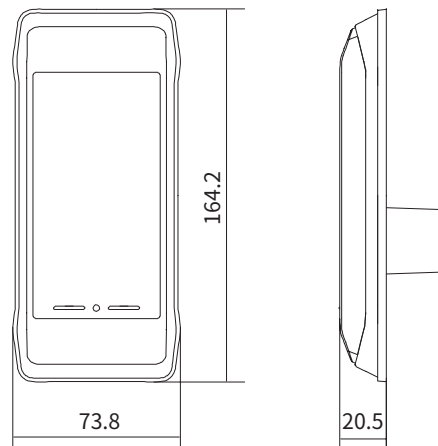
K E E S

Feature

- RFID(R1002-TS)
- Auto-locking
- Pin Access
- One Time Password
- BLE App Control (option)

Dimensions

Unit : mm



Specifications

	R1001-TS	R1002-TS
Handle Type	Auxiliary Lock	
Unlocking Methods	IRIS Recognition	N/A
	Finger Print Recognition	N/A
	RFID Card	N/A
	Password	4~10 digit number
Mechanical Cylinder Key	Keyless	
Door Thickness	40 ~ 50 mm	
Back Set / Space	N/A	
Power	DC 6V (AA batteries x 4 EA)	
Battery Life (Approximated Average - 10 times per day)	12 months (manual w/up & w/o network.) ~ 10 months (Automatic Wake up & Using RF, Network options)	12 months (manual w/up & w/o network.) ~ 8 months (Automatic Wake up & Using RF, Network options)
	DC9V	
Emergency Battery	DC9V	
Material	Al die casting &ABS mold	
Weight(kg)	1.2	
Dimension (WxHxD)	Outer:W x H x D(mm)	73.8 X 164.2 x 20.5
	Inner: W x H x D(mm)	168 x 101 x 48
	Strike Box W x H x Strike D(mm)	N/A
	Mortise Front W x H x Depth D(mm)	N/A
Optional	BLE, RF	



Durable And Reliable



Highly Resistant Metal Body



Auto Lock/Re-Lock/Lock Out



Trace Prevention Password Protection



Multi-Level Volume Control/
Selective Mute function



Emergency Power Function



High Voltage Prevention System



Fire Prevention System