

Access Control System

i-A110L

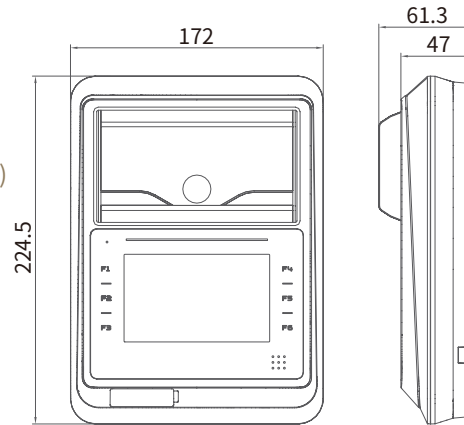
KEES

Feature

- Iris authentication access control
- Iris authentication after facial detection through auto tilting
- Multiple authentications (Iris+RF Card+Pin code)
- Long distance of authentication(40~100cm)
- Fast authentication: within 1second after acquiring iris pattern
- Store up to 10,000 templates
- Visual and voice guidance through LCD and speaker
- Auxiliary LED for optimized face detection
- Various system interfaces: TCP/IP, RS485, RS232, Wiegand, USB2.0
- 12VDC

Dimensions

Unit : mm



Specifications

| | | | |
|---|---|---------------------------------|--|
| General | | Tamper detection | Tamper (Product separation detection) |
| Firmware platform and OS | Arm Cortex A9 Quad Core/Linux | Voice guidance | Yes(English ,Korean, Chinese) |
| Mounting height | 130cm | relay | relay x2 |
| Authenticate height range | 145cm~210cm (standard on user height) | GPIO | TTL INPUT x4(TTL Input_DC5V) |
| Authenticate distance range | 40cm~100cm | Other ports | USB 2.0 |
| Integration | SDK available (KT&C API) server communication: TLSv1/SSLv3, 1 WAY, ECDHE-RSA-AES256-GCM-SHA384 DB: AES CBC-256bit/ARIA Support | RF Card | 13.56Mhz Mifare/Felica(option) |
| Encryption | | Communication | |
| Authentication | | Ethernet | 10/100 Base-T Ethernet (RJ45 connector) |
| Authentication methods | Iris(Single Iris, either eye,etc), Pin number, RFID(option) | Wiegand In/Out | Input 1ch, Output 1ch |
| Authentication speed | < 1 sec (after user's eyes are placed within capture volume) | RS-232 | 1ch |
| FAR | 1 in 1,000,000 | RS-485 | 1ch |
| Store iris template | Up to 10,000 | Power | |
| Functions | | Power input | DC12V(±10%) |
| Iris Pattern standard | ISO 19794-6 2011 standard to capture Iris Pattern | Power consumption | DC12V(±10%) Max. 2.2A |
| Iris image sensor | 3840 x 2160 pixels, 10 bit depth | Physical and Temperature | |
| Lens to capture Iris Pattern | 5xZoom | Dimension(mm) | 163(W)x224.5(H)x61(D)mm |
| Face image sensor | 1MP, 1280 x 720 pixels | Weight | Weight 1150g |
| IR wavelengths to capture Iris Pattern | wavelengths of 810 nm | Operating Temperature | 32°F~113°F (0°C~45°C) |
| Thermal sensor resolution | - | Storage Temperature | -4°F~140°F (-20°C~60°C) |
| Thermal sensitivity | - | Humidity | 10%~90% Relative Humidity Non-Condensing |
| Thermal spectrum | - | Mounting | Flush or Surface mounting |
| Auxiliary light | 5,000k, Brightness level control | Certificates | CE, FCC(TBD), KC certified |
| Auto tilt | +30°/-20° | Optional model | i-A110LT |
| Visual indicators on the LCD. | Red: within 40cm / Green: 40~100cm / Blue: out of 100cm | | |
| Audio | 2.0W speaker | | |
| LCD | 4.3" TFT LCD(800X480), Capacitive touch screen | | |