

Digital Door Lock T102K-TW

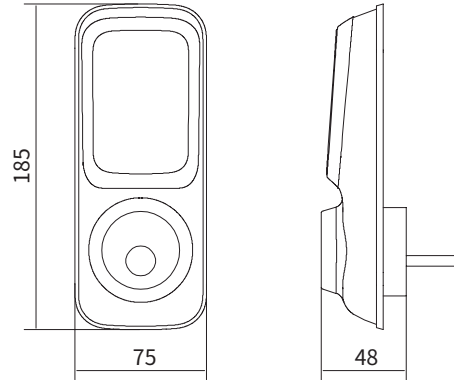
K E E S

Feature

- Auto-locking
- Pin Access
- Guest Password(MAX. 10)
- Mechanical key
- BLE App Control (option)

Dimensions

Unit : mm



Specifications

Handle Type	Dead Bolt	
Unlocking Methods	IRIS Recognition	N/A
	Finger Print Recognition	N/A
	RFID Card	N/A
	Password	4~10 digit number
Mechanical Cylinder Key	2 EA	
Door Thickness	35 ~ 60 mm	
Back Set / Space	60 or 70mm / N/A	
Power	DC 6V (DC 6V AA batteries x 4 EA)	
Battery Life (Approximated Average - 10 times per day)	12 months (manual w/up & w/o network.) ~ 10 months (Automatic Wake up & Using RF, Network options)	
Emergency Battery	N/A	
Material	Al die casting & ABS mold	
Weight(kg)	TBD	
Dimension (WxHxD)	Outer:W x H x D(mm)	75 x 185 x 35
	Inner: W x H x D(mm)	81 x 186 x 42
	Strike Box W x H x Strike D(mm)	N/A
	Mortise Front W x H x Depth D(mm)	N/A
Optional	BLE	



Durable And Reliable



Highly Resistant Metal Body



Auto Lock/Re-Lock/Lock Out



Trace Prevention Password Protection



Multi-Level Volume Control/ Selective Mute function



High Voltage Prevention System