

# Access Control System i-A100

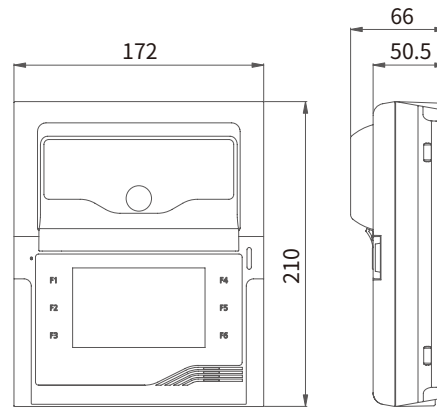
K E E S

## Feature

- Iris authentication access control
- Iris authentication after facial detection through auto tilting
- Multiple authentications (Iris+RF Card+Pin code)
- Long distance of authentication(40~100cm)
- Fast authentication: within 1second after acquiring iris pattern
- Store up to 10,000 templates
- Visual and voice guidance through LCD and speaker
- Various system interfaces: TCP/IP, RS485, RS232, Wiegand, USB2.0
- 12VDC

## Dimensions

Unit : mm



## Specifications

<b>General</b>		<b>Tamper detection</b>	Tamper 1(Product separation detection) Tamper 2(LCD cover open detection)
<b>Firmware platform and OS</b>	Arm Cortex A9 Quad Core/Linux	<b>Voice guidance</b>	Yes(English ,Korean, Chinese)
<b>Mounting height</b>	130cm	<b>relay</b>	relay x2
<b>Authenticate height range</b>	145cm~210cm (standard on user height)	<b>GPIO</b>	TTL INPUT x4(TTL Input_DC5V)
<b>Authenticate distance range</b>	40cm~100cm	<b>Other ports</b>	USB 2.0
<b>Integration</b>	SDK available (KT&C API) server communication: TLSv1/SSLv3, 1 WAY, ECDHE-RSA-AES256-GCM-SHA384 DB: AES CBC-256bit/ARIA Support	<b>RF Card</b>	13.56Mhz Mifare/Felica(option)
<b>Encryption</b>		<b>Communicaiton</b>	
<b>Authentication</b>		<b>Ethernet</b>	10/100 Base-T Ethernet (RJ45 connector)
<b>Authentication methods</b>	Iris(Single Iris, either eye,etc), Pin number, RFID(option)	<b>Wiegand In/Out</b>	Input 1ch, Output 1ch
<b>Authentication speed</b>	< 1 sec ( after user's eyes are placed within capture volume)	<b>RS-232</b>	1ch
<b>FAR</b>	1 in 1,000,000	<b>RS-485</b>	1ch
<b>Store iris template</b>	Up to 10,000	<b>Power</b>	
<b>Functions</b>		<b>Power input</b>	DC12V(±10%)
<b>Iris Pattern standard</b>	ISO 19794-6 2011 standard to capture Iris Pattern	<b>Power consumption</b>	DC12V(±10%) Max. 2.2A
<b>Iris image sensor</b>	3840 x 2160 pixels, 10 bit depth	<b>Physical and Temperature</b>	
<b>Lens to capture Iris Pattern</b>	5xZoom	<b>Dimension(mm)</b>	172(W)X210(H)X66(D)mm
<b>Face image sensor</b>	1MP, 1280 x 720 pixels	<b>Weight</b>	Weight 1180g
<b>IR Wavelengths to capture Iris Pattern</b>	wavelengths of 810 nm	<b>Operating Temperature</b>	32°F~113°F (0°C~45°C)
<b>Thermal sensor resolution</b>	-	<b>Storage Temperature</b>	-4°F~140°F (-20°C~60°C)
<b>Thermal sensitivity</b>	-	<b>Humidity</b>	10%~90% Relative Humidity Non-Condensing
<b>Thermal spectrum</b>	-	<b>Mounting</b>	Flush or Surface mounting
<b>Auxiliary light</b>	-	<b>Certificates</b>	CE, FCC(TBD), KC certified
<b>Auto tilt</b>	+30°/-20°	<b>Optional model</b>	i-A100L, i-A100LT
<b>Visual indicators on the LCD.</b>	Red: within 40cm / Green: 40~100cm / Blue: out of 100cm		
<b>Audio</b>	2.0W speaker		
<b>LCD</b>	4.2" TFT LCD(800X480), Capacitive touch screen		